

AQUA ENERGY DL HIGH PRESSURE

AQUA ENERGY INTERNATIONAL LTD

28 St James Business Centre
Linwood Road, Paisley PA3 3AT
Scotland, UK

Tel: (+44) (0) 141 849 6888

Fax: (+44) (0) 141 848 5777

E-mail: sales@aquaenergy.com

www.aquaenergy.com

INDUSTRIAL PLUNGER PUMP



PUMP SPECIFICATIONS

Rated Horsepower -----50

Number of cylinders -----3

Plunger Stroke -----40mm

Oil Capacity -----lt 3.80

Plunger Dia -----

Pump Weight ----- 63 Kg

Construction

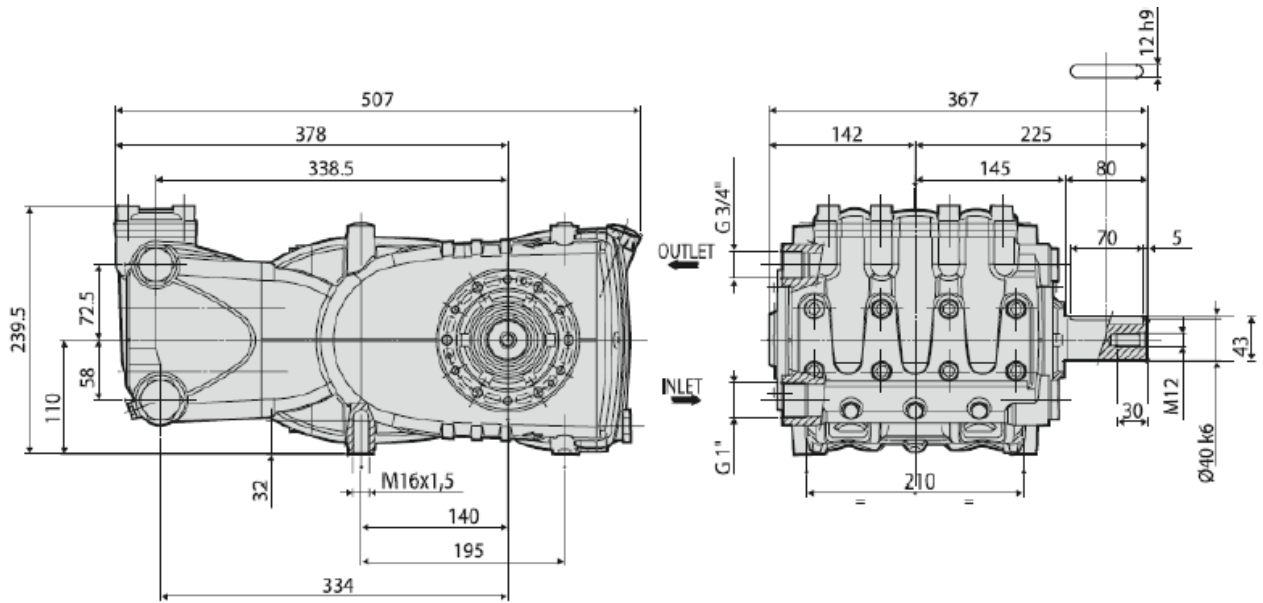
- Triplex plunger pump, available in 4 versions
- Patent pending, symmetrical power end design featuring top and bottom mounting holes allowing for easy left to right shaft conversion
- Pressure packing design with integrated cooling system
- Vertically fitted valves
- Splash lubrication

Material Quality

- High resistance light alloy crankcase
- Stainless steel manifold
- Tapered roller rim bearings
- Special antifriction light alloy con rods
- Forged alloy steel crankshaft, hardened, tempered and nitrited
- Cast iron piston guide, nickel treated
- Sintered ceramic plungers
- Stainless steel valves

DL-50 SERIES

DIMENSIONS



DL 50 PUMP:

Maximum design pressure 600 bar (8700 psi)
Maximum inlet pressure 3 bar (45psi)

Standard connections: Suction ----- G 1"
Discharge ----- G 3/4"

Model	RPM	Volume		Pressure		Power		Stroke	50mm
		l/m	Gpm	Bar	Psi	HP	KW		
DL-50-18	800	30	08,1	600	8700	50	37,0	Max Inlet Pressure	3 bar (45 psi)
DL-50-18	1000	38	10,1	500	7250	50	37,0	Oil Capacity	3,8 Litres
DL-50-22	800	45	12,0	400	5800	50	37,0	Weight	63kg
DL-50-25	1000	74	19,6	280	4050	50	37,0		

Performances refer to theoretical delivery with 100% volumetric efficiency
Under normal operating conditions pump volumetric efficiency is over 95%
Please contact our technical staff in case of continuous and heavy-duty or special applications

Other versions available with pressures from 110 bar 210 bar.
Water flows from 92.00 l/min to 170.00 l/min.
Ask our technical staff for further information.

For further information contact: Aqua Energy International Limited
St James Business Centre
Linwood Road
Paisley PA3 3AT, Scotland UK
Tel: (+44) (0) 141 849 6888
Fax: (+44) (0) 141 848 5777
E-mail: sales@aquaenergy.com
www.aquaenergy.com