

AQUA ENERGY DL HIGH PRESSURE

AQUA ENERGY INTERNATIONAL LTD

INDUSTRIAL PLUNGER PUMP

28 St James Business Centre, Linwood Road

Paisley PA3 3AT

Scotland, UK

Tel: (+44) (0) 141 849 6888

Fax: (+44) (0) 141 848 5777

E-mail: sales@aquaenergy.com

www.aquaenergy.com



PUMP SPECIFICATIONS for DL-80

Pump Type	Volume		Pressure		Rpm	Power		Weight Kg	Dimensions Mm
	Lpm	US gpm	Bar	Psi		Hp	Kw		
DL-75-12	20	5.3	1500	21750	1500/1800/2200	78	57	77	607x483x237
DL-75-14	28	7.4	1100	15950	1500/1800/2200	80	59	77	607x483x237

Volumes are theoretical at 100% volumetric efficiency.

Construction

- Triplex plunger c/w gear box
- Patent pending, symmetrical power end design
- Integrated cooling system
- High volumetric efficiency suction/delivery valves
- Splash lubrication

Material Quality

- High resistance light alloy crankcase and gear box
- Stainless steel manifold
- Tapered roller rim bearings
- Special anti-friction light alloy conrods
- Stainless steel valves

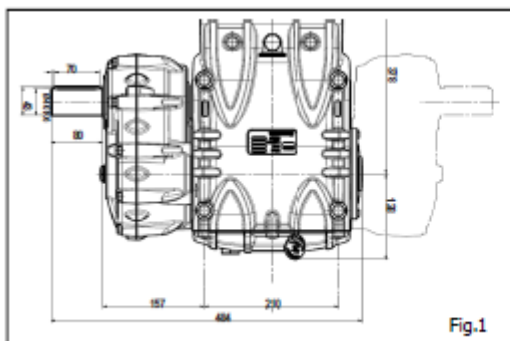


Fig.1

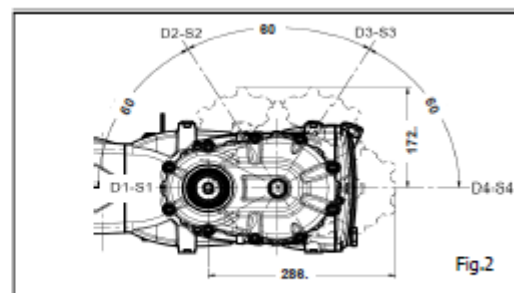


Fig.2