

AQUA ENERGY DL HIGH PRESSURE

AQUA ENERGY INTERNATIONAL LTD

28 St James Business Centre, Linwood Road

Paisley PA3 3AT

Scotland, UK

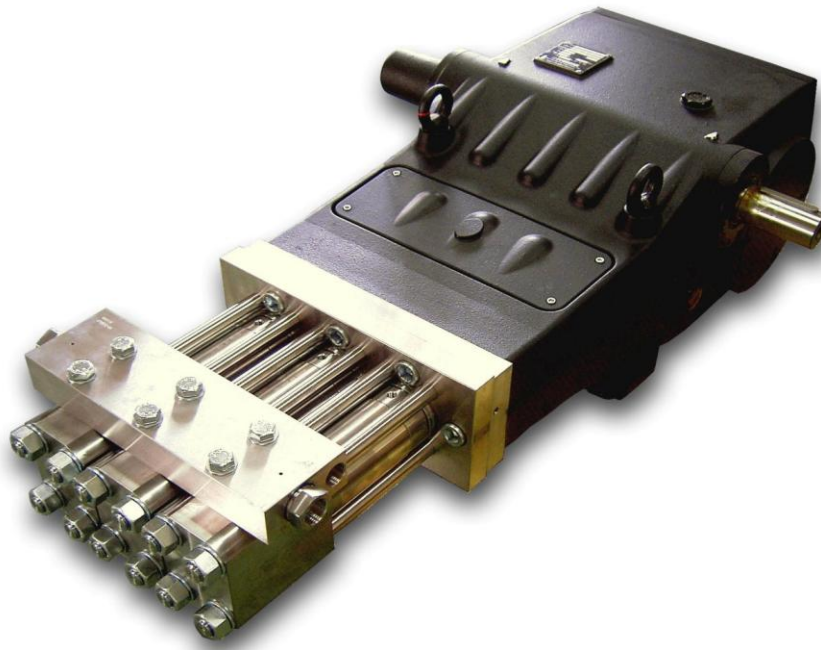
Tel: (+44) (0) 141 849 6888

Fax: (+44) (0) 141 848 5777

E-mail: sales@aquaenergy.com

www.aquaenergy.com

INDUSTRIAL PLUNGER PUMP



PUMP SPECIFICATIONS

Rated Horsepower -----180

Number of cylinders -----3

Plunger Stroke -----mm90

Oil Capacity -----lt 14

Plunger Dia-----14mm

Pump Weight -----Kg 380

FLUID END

FLUID HEAD - Special high resistance stainless steel.

VALVES & SEATS – Valves made in stainless steel and bronze seats.

PLUNGERS - Solid ceramic plungers.

PACKING – Pressure Packing internal cooling system.
Double pressure packings

LUBRICATION - Plungers and Packing lubricated by water supply with water spill venting.

POWER END

POWER FRAME - High strength cast iron.

CRANKSHAFT - Hardened and tempered alloy steel.

CRANKSHAFT BEARINGS - Double roller rim.

CONNECTING RODS - Surface treated spheroidal cast Iron.

REDUCTION GEAR - Internal 3.389:1 or 2.95: 1 reduction ratio gear from either side of pump.

LUBRICATION – Power end parts and gearbox are splash lubricated by oil in crankshaft reservoir.

DL-180 SERIES

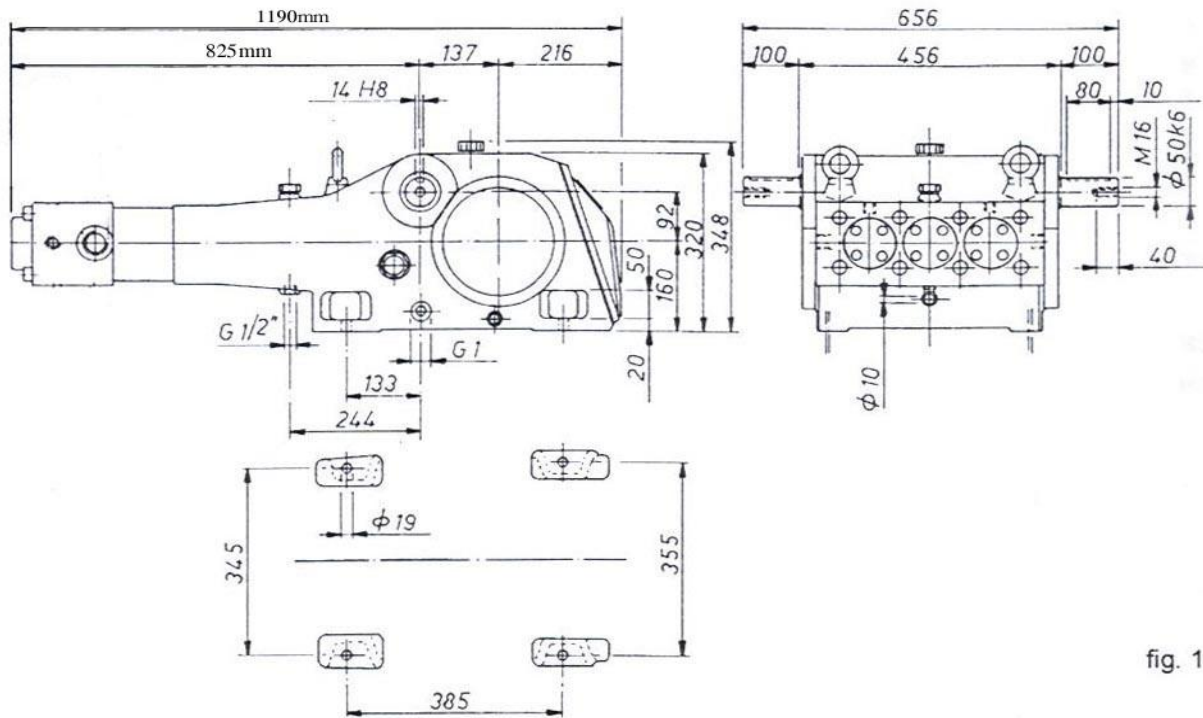


fig. 1

DL-180 PUMP:

Maximum design pressure: **2,758 bar** (40,000 psi)

Maximum inlet pressure: **7 bar** (101.50 psi)

Minimum inlet pressure: **4 bar** (58.00 psi)

Standard connections: Inlet ----- G 3/4"

Discharge ----- 9/16" AE HP

Table of pump versions:

| Model | A. 1800 RPM (ratio 1:3.389) | | | | | | B. 1500 RPM (ratio 1:2.95) | | | | | |
|-------|-----------------------------|-------|----------|-------|-------|-----|----------------------------|-------|----------|-------|-------|-----|
| | Volume | | Pressure | | Power | | Volume | | Pressure | | Power | |
| | l/min | Gpm | Bar | Psi | Kw | Hp | l/min | Gpm | Bar | Psi | Kw | Hp |
| DL 14 | 24.00 | 06.31 | 2758 | 40000 | 130 | 174 | 23.10 | 06.07 | 2,758 | 40000 | 125 | 167 |
| DL 20 | 44.00 | 11.60 | 1500 | 21750 | 130 | 175 | 43.00 | 11.30 | 1500 | 20300 | 123 | 160 |
| DL 22 | 53.00 | 14.00 | 1300 | 18850 | 135 | 181 | 52.00 | 13.70 | 1300 | 18850 | 129 | 176 |
| DL 24 | 63.00 | 16.60 | 1110 | 15950 | 135 | 182 | 62.00 | 16.30 | 1100 | 15950 | 132 | 180 |
| DL 26 | 74.00 | 19.60 | 900 | 13050 | 127 | 170 | 73.00 | 19.60 | 900 | 11600 | 127 | 173 |
| DL 28 | 86.00 | 22.70 | 800 | 11600 | 132 | 179 | 84.00 | 22.30 | 800 | 11600 | 128 | 175 |
| DL 30 | 98.00 | 25.90 | 700 | 10150 | 134 | 180 | 96.00 | 25.60 | 700 | 8700 | 128 | 175 |

A. Rated crankshaft speed 516 rpm

B. Rated crankshaft speed 508 rpm

Performance refers to theoretical delivery with 100% volumetric efficiency.

Under normal operating conditions, pump volumetric efficiency is over 95%.

Please contact our technical staff in case continuous and heavy-duty, or special applications.

AQUA ENERGY