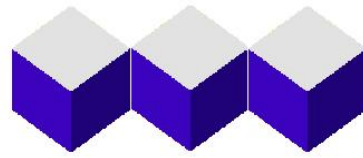


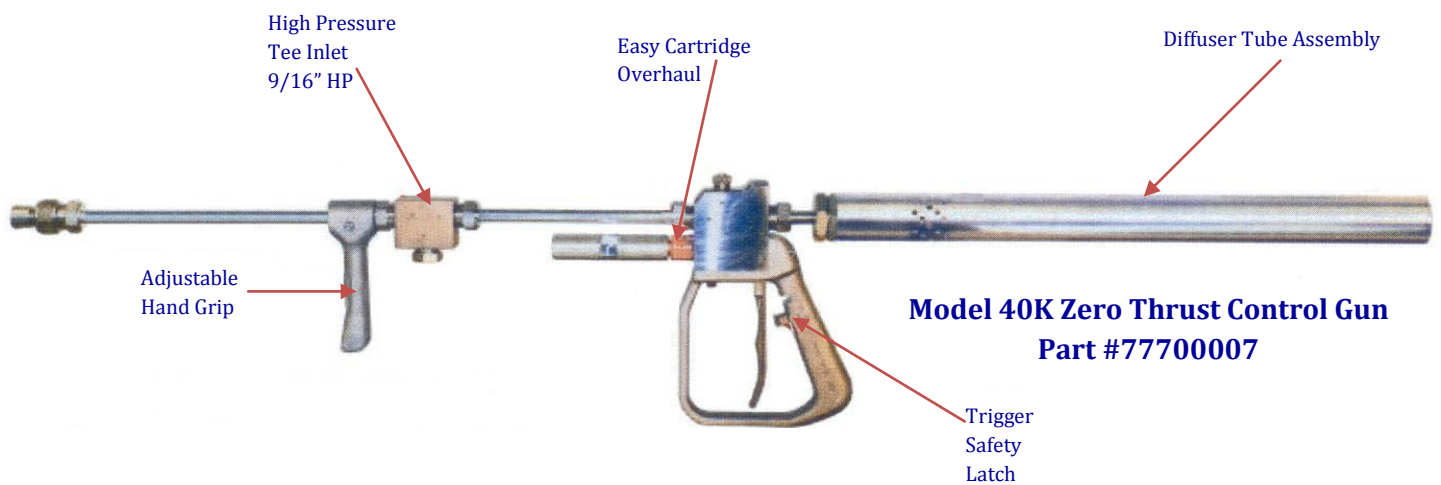
AQUA ENERGY



"WATERJET SOLUTIONS"

Hand-Held Zero Thrust Control Gun

Pressures to 2759 bar (40,000 psi)



Designed for underwater or topside use where balance is critical.
The equal forward and backward thrust allows the operator to be in balance.

Constructed of stainless steel for corrosion resistance.

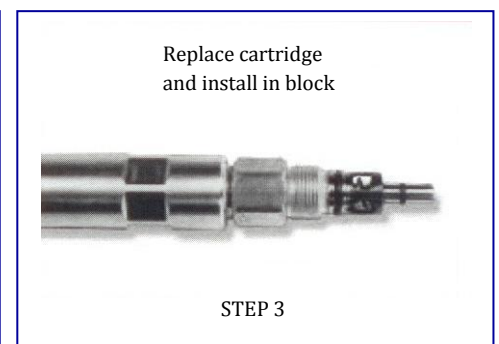
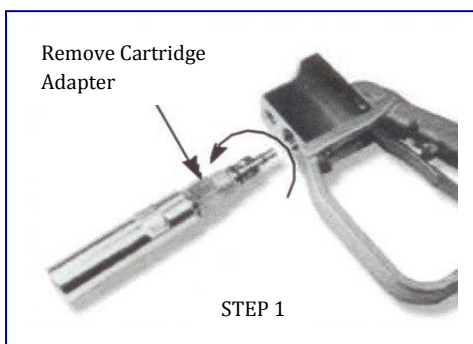
Vertical inlet connection for underwater use.

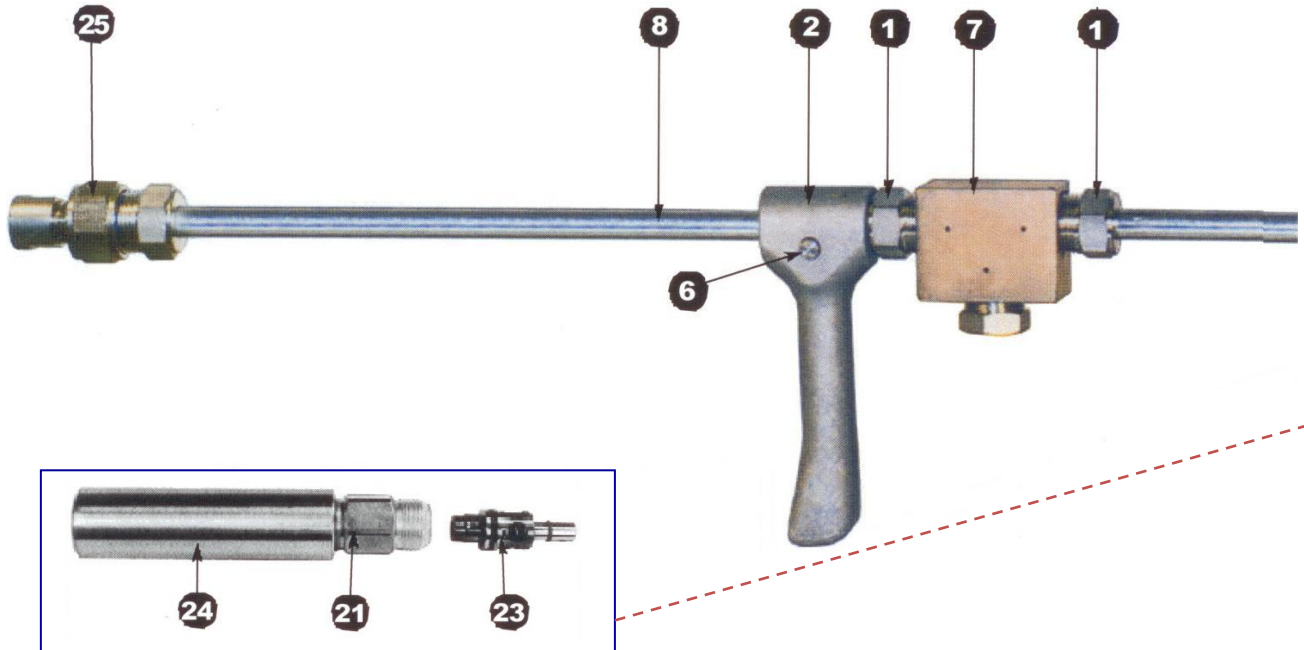
Adjustable hand grip.

Features 60 second cartridge overhaul.

Weighs only 7.26 Kgs (16 lbs)

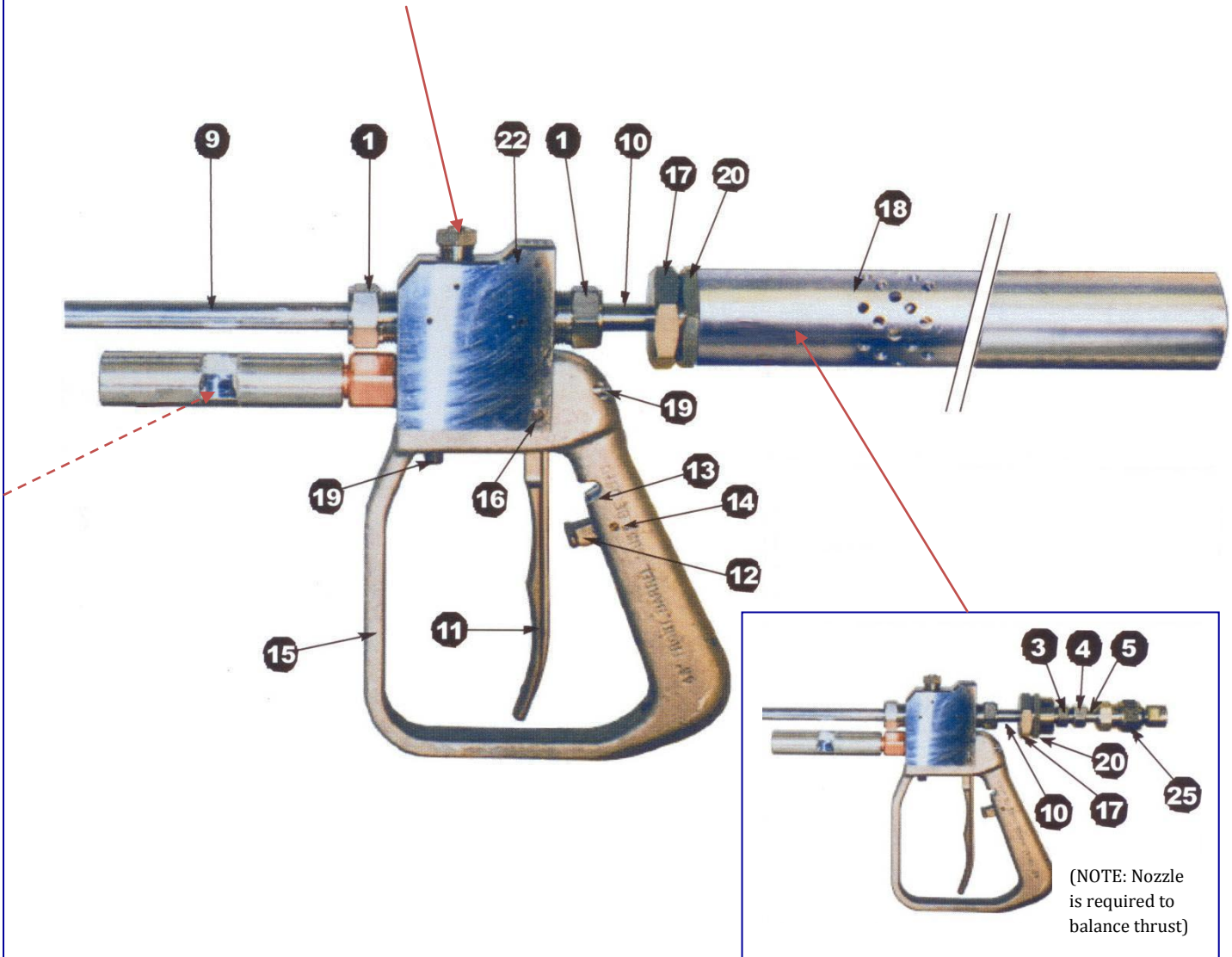
60 Second Cartridge Overhaul





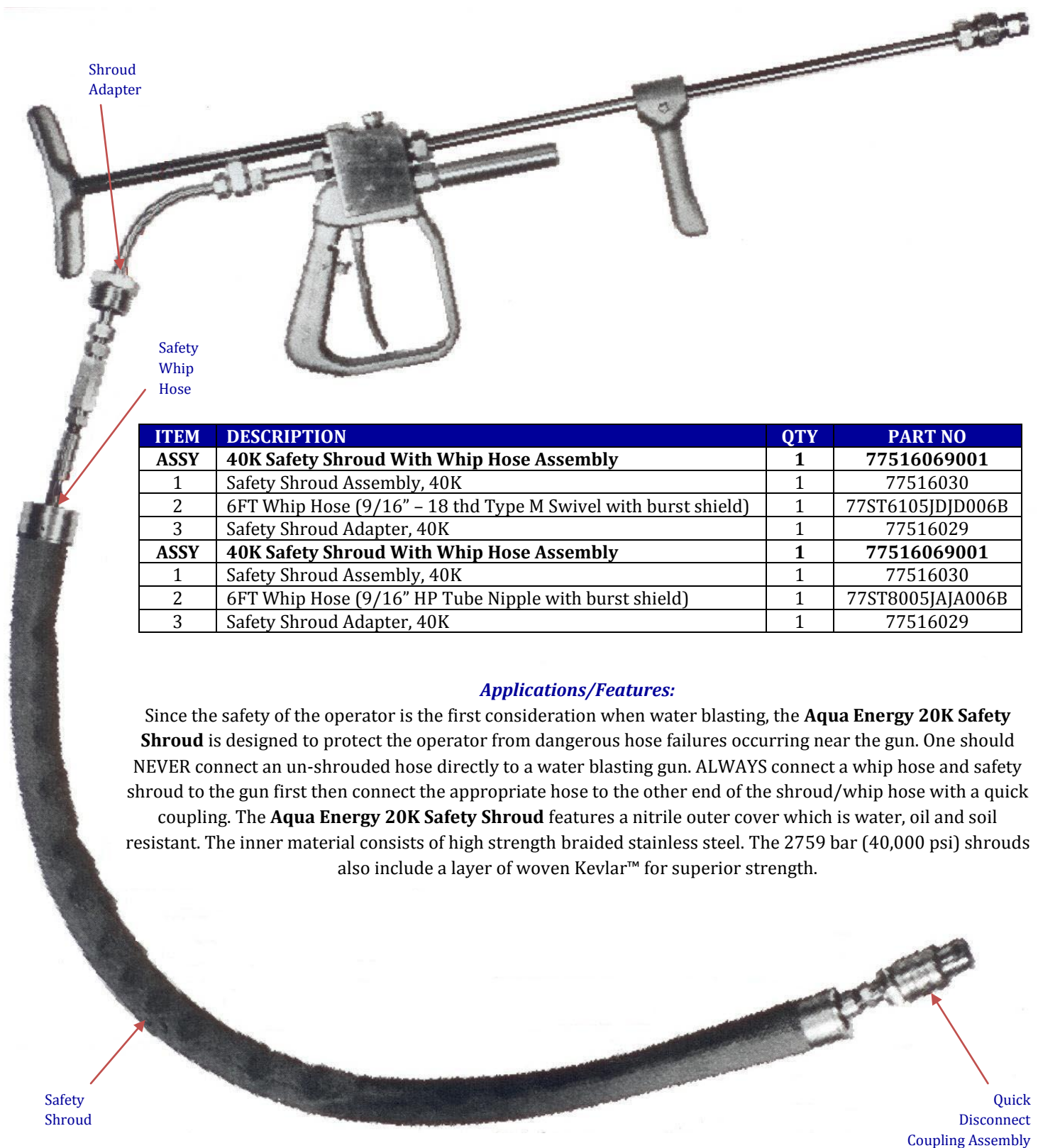
ITEM	DESCRIPTION	QUANTITY	PART NO
COMPLETE	HG Series 40K Hand Held Zero Thrust Control Gun	1	77700007-40K
1	Anti-Vibe Collet A	4	77513043
2	Hand Grip Frame	1	77513057
3	Anti-Vibe Collet B	1	77513061-B
4	Anti-Vibe Collet N	1	77513061-N
5	Anti-Vibe Sleeve	1	77513061-S
6	Cam Stud Assembly, 9/16" HP	1	77513063
7	Tee, 9/16" HP (60K MAWP)	1	77513199
8	Nipple, 9/16" HP x 36"	1	77515131-36
9	Nipple, 9/16" NPT x 12" SS, 40K	1	77515136
10	Nipple, 9/16" NPT x 8" SS, 40K	1	77515150
11	Trigger, HG-SS	1	77700024
12	Safety Latch	1	77700025
13	Safety Latch Spring	1	77700026

Warning: Do not remove from gun block



(NOTE: Nozzle is required to balance thrust)

ITEM	DESCRIPTION	QUANTITY	PART NO
14	Safety Latch Pin	1	77700027
15	Handle, 40K Dump Gun	1	77700038
16	Trigger Pivot Pin	1	77700045
17	Zero Thrust Diffuser Adapter	1	77700057
18	Zero Thrust Diffuser	1	77700058
19	Screw, 1/4" x 3/4" SHCS SS	4	77700067
20	Nut, Jam 1-3/4"-12	1	77700157
21	Dump Tube Adapter	1	77700304
22	HGLT 40K Gun Block	1	77700306
23	Cartridge, 40K HGLT Gun	1	77700315
24	Dump Tube, 40K HGLT Gun	1	77700320
25	Nozzle Holder Assembly	2	77700326



ITEM	DESCRIPTION	QTY	PART NO
ASSY	40K Safety Shroud With Whip Hose Assembly	1	77516069001
1	Safety Shroud Assembly, 40K	1	77516030
2	6FT Whip Hose (9/16" - 18 thd Type M Swivel with burst shield)	1	77ST6105JDJD006B
3	Safety Shroud Adapter, 40K	1	77516029
ASSY	40K Safety Shroud With Whip Hose Assembly	1	77516069001
1	Safety Shroud Assembly, 40K	1	77516030
2	6FT Whip Hose (9/16" HP Tube Nipple with burst shield)	1	77ST8005JAJA006B
3	Safety Shroud Adapter, 40K	1	77516029

Applications/Features:

Since the safety of the operator is the first consideration when water blasting, the **Aqua Energy 20K Safety Shroud** is designed to protect the operator from dangerous hose failures occurring near the gun. One should NEVER connect an un-shrouded hose directly to a water blasting gun. ALWAYS connect a whip hose and safety shroud to the gun first then connect the appropriate hose to the other end of the shroud/whip hose with a quick coupling. The **Aqua Energy 20K Safety Shroud** features a nitrile outer cover which is water, oil and soil resistant. The inner material consists of high strength braided stainless steel. The 2759 bar (40,000 psi) shrouds also include a layer of woven Kevlar™ for superior strength.

AQUA ENERGY INTERNATIONAL LTD
 28 St James Business Centre, Linwood Road,
 Paisley, PA3 3AT, Scotland, U.K.
 Tel +(44) 141 849 6888
 Fax +(44) 141 848 5777
 sales@aquaenergy.com
 www.aquaenergy.com