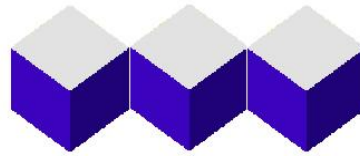


# AQUA ENERGY



"WATERJET SOLUTIONS"

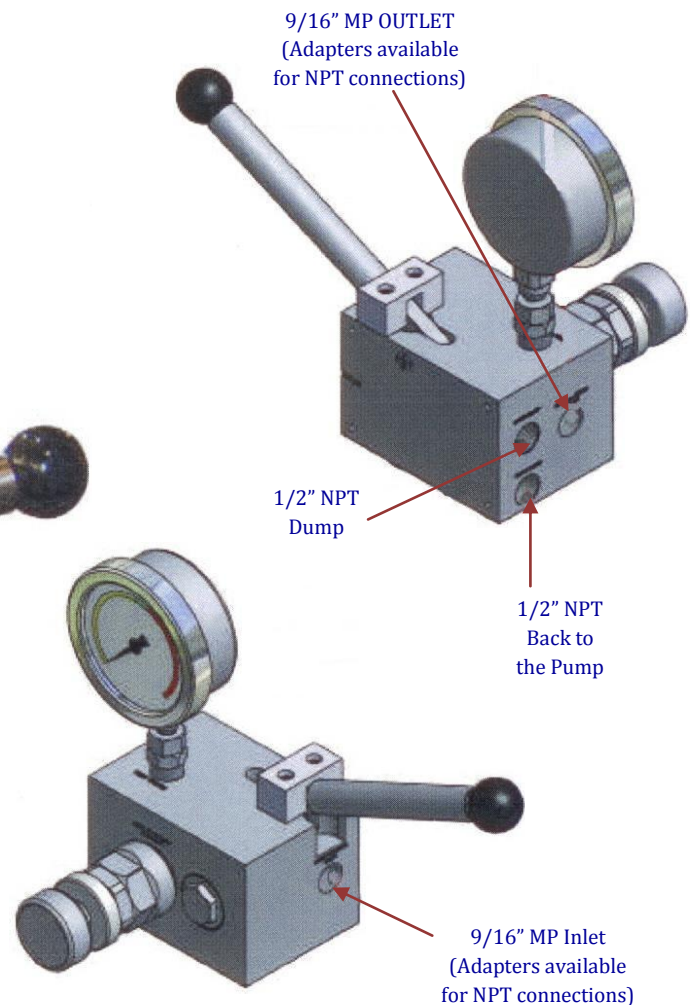
## PRESSURE-TROL

### Hydrostatic Testing Valve

Pressures from 690 – 1379 bar (10,000 – 20,000 psi)



Part #36-20300  
PRESSURE-TROL  
ASSY.



#### Application/Features:

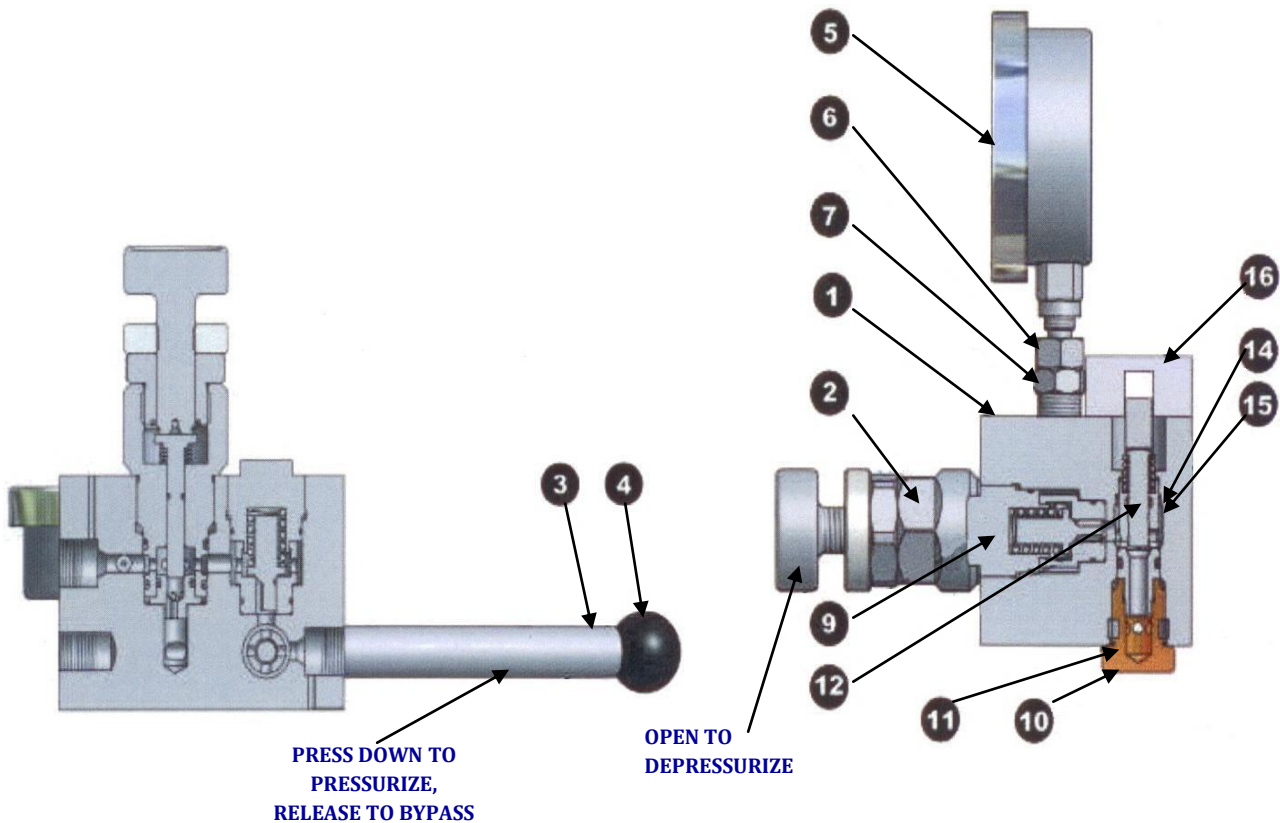
The "Pressure-Trol Valve Assembly" is a single unit designed specifically for the hydrostatic testing of drill and production pipe, casing or tubing. It can be used on both diesel and electric testing units. A special feature of the "Pressure-Trol" system allows the operator to regulate testing pressure and bleed off water with only two (2) centrally located controls without having to "clutch" the engine. It's safe, simple operation keeps the operator in full control of the test process.

#### Advantages:

- Increases production with simple to operate system.
- Built for continuous operation.
- Requires only ONE operator.
- Pump and motor start/stop eliminated.
- 60-second field overhaul.
- Can be used with most other manufactured pump units.

# Pressure-Trol Components

ITEM	DESCRIPTION	QTY.	PART NO.
<b>ASSY.</b>	<b>Pressure-Trol Valve Assy., Diesel Units</b>		<b>36-20300</b>
1	Body, Pressure-Trol Valve	1	36-20301
2	Assembly, Throttle Valve FDV/PRV, 20K	1	77-800008 ASSY
3	Control Lever - Pressure-Trol Valve	1	36-20120
4	Knob, 1-3/8" Round	1	12-33023
5	Gauge, 0-35K, Liquid Filled, 1/4" HPF 4 Face	1	37-45138
6	Adapter, 9/16" MP (M) x 1/4" HP (M)	1	36-10280
7	Gland Nut, 9/16" MP	1	77-513053
8	Collar, 9/16" MP	1	77-513054
9	Check Valve, Pressure-Trol Valve	1	36-20310
10	Adapter, 20K Dump Gun	1	77-700603
11	O-Ring, 1", 2-020-90	1	22-20016
12	Cartridge Valve Assembly, 20K Dump Gun	1	31-02121
13	Screw, FHMS, Phillips, 1/4" x 1-1/2", SS	1	16-06204
14	Back-Up Ring, Valve Seat	1	22-17047
15	O-Ring, 7/8"	1	22-17046
16	Lever Stop, Trol Valve	1	36-20302
17	Screw, SHC, 1/4"-20 x 1" (not shown)	1	16-15295



## AQUA ENERGY INTERNATIONAL LTD

28 St James Business Centre, Linwood Road,  
Paisley, PA3 3AT, Scotland, U.K.

Tel: +44 (0) 141 849 6888

Fax: +44 (0) 141 848 5777

sales@aquaenergy.com

www.aquaenergy.com