

AQUA ENERGY EL HIGH PRESSURE INDUSTRIAL PLUNGER PUMP

AQUA ENERGY INTERNATIONAL LTD

**8 St James Business Centre
Linwood Road, Paisley PA3 3AT
Scotland, UK
Tel: (+44) (0) 141 849 6888
Fax: (+44) (0) 141 848 5777
E-mail: info@aquaenergy.com
<http://www.aquaenergy.com>**



PUMP SPECIFICATIONS

Rated Horsepower -----40
Number of cylinders -----3
Plunger Stroke -----mm40

Oil Capacity -----lt 3.8
Plunger Load ----- 1,370 Kg
Pump Weight -----Kg 70

FLUID END

FLUID HEAD - In special stainless steel.

VALVES & SEATS – Horizontal fitted valves made in stainless steel.

PLUNGERS – Ceramic plungers.

PACKING – Double Pressure Packing giving long service.

LUBRICATION - Plungers and Packing lubricated by water supply with water spill venting.

POWER END

POWER FRAME - High strength cast iron.

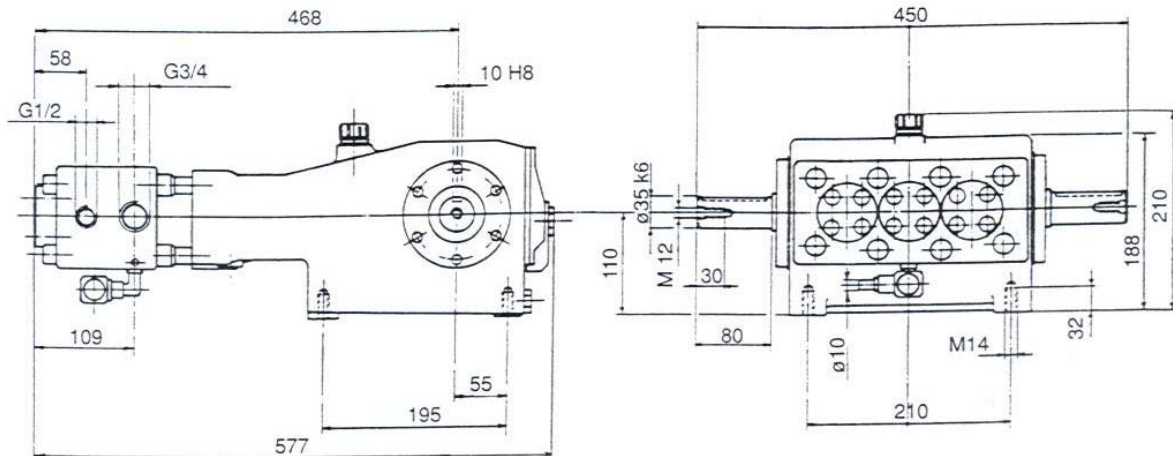
CRANKSHAFT - Hardened and tempered alloy steel.

CRANKSHAFT BEARINGS - Double roller rim.

CONNECTING RODS - Surface treated spheroidal cast iron.

LUBRICATION – Power end parts and gearbox are splash lubricated by oil in crankshaft reservoir.

EL SERIES TRIPLEX



EL PUMP:

Maximum design pressure 1200 bar (17,400 psi)
 Maximum inlet pressure 10 bar (145psi)
 Crankshaft with choice of projection

Standard connections: Suction ----- G ¾”
 Discharge -----G ½”

Table of pump versions

Model	RPM	Volume		Pressure		Power	
		L/min	Gpm	Bar	Psi	Kw	Hp
EL 12	750	10	2.60	1200	17,400	29.85	40.00
EL 14	750	14	3.60	1000	14,500	29.85	40.00
EL 16	750	18	4.70	750	10,800	29.50	40.00
EL 16	1000	23	6.00	700	10,150	29.50	40.00

Performances refer to theoretical delivery with 100% volumetric efficiency.
 Under normal operating conditions pump volumetric efficiency is over 95%.
 Please contact our technical staff in case of continuous and heavy-duty or special applications.

The EL pump is provided with an internal cooling system of plungers and pressure packings
 During operation a certain amount of water is drained through the throttler under the fluid end.
 The throttler is provided with quick a coupling suitable for a 10mm nilsan hose.

For further information on our range of pumps please contact

Aqua Energy International Limited, St James Business Centre, Linwood Road,
 Paisley PA3 3AT, Scotland, UK

Tel: (+44) (0) 141 849 6888 Fax: (+44) (0) 141 848 5777

E-mail: info@aquaenergy.com www.aquaenergy.com